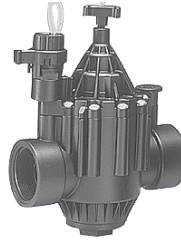


ELECTRIC CONTROL VALVES

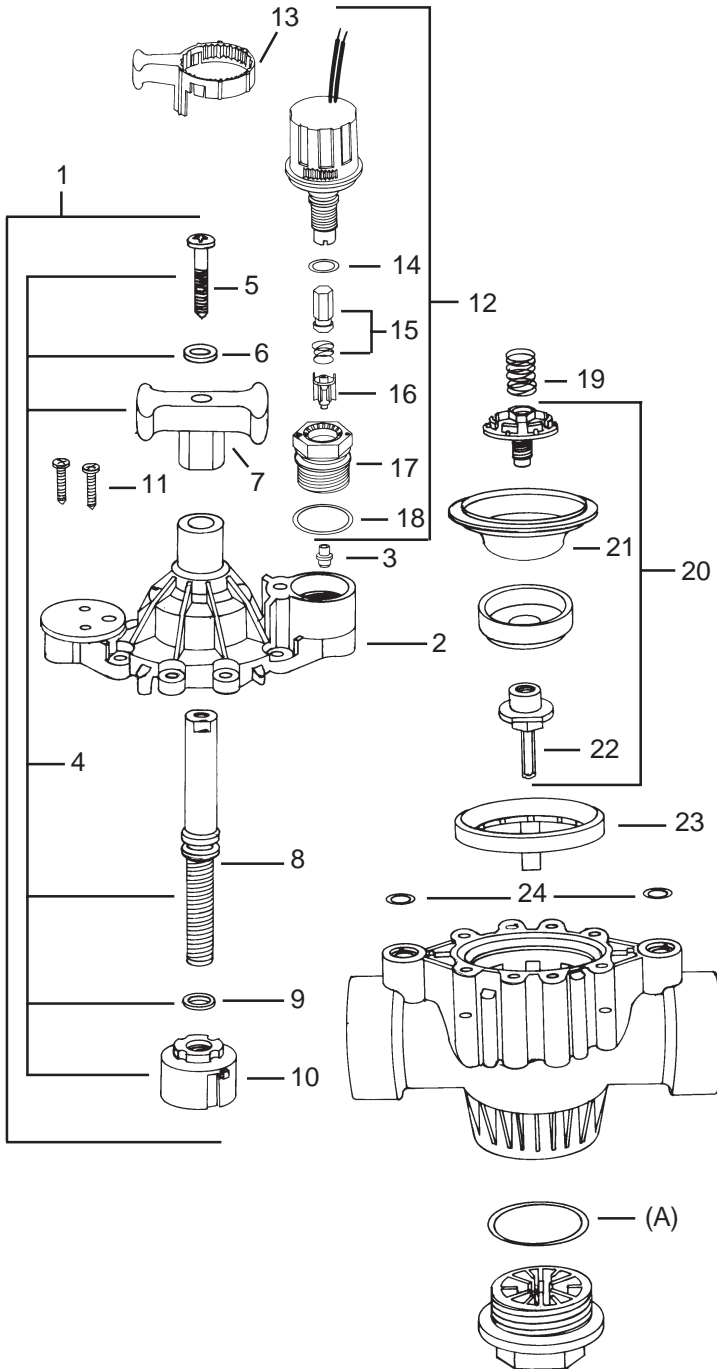
100- PGA / 150-PGA / 200-PGA



Ref. No.: 615

Date: 02/2003

Page: 1 of 1



Ref.	Description	100PGA	150PGA	200PGA
BONNET ASSEMBLY				
1	BONNET ASSEMBLY	210858	210454	210866
2	Bonnet	—	—	—
3	Solenoid Seal	208629	208629	208629
4	Flow Control Assy	210859	210455	210867
5	Screw	—	—	—
6	Teflon Washer	—	—	—
6	Stem Washer	—	—	—
7	Handle	208940	208940	210294
8	Stem	—	—	—
9	O-Ring AS-111 (A)	—	—	—
10	Piston	—	—	—
11	Screw (6,8 OR 10)	210295	208860	209054
SOLENOID ASSEMBLY				
12	Solenoid Assembly	209532-02	209532-02	209532-02
13	Lock Ring with Handle	209943	209943	209943
14	O-Ring (B)	—	—	—
15	Plunger w/Spring	—	—	—
16	Retainer (B)	—	—	—
17	Adapter	—	—	—
18	Adapter O-Ring (B)	—	—	—
LOWER ASSEMBLY				
19	Diaphragm Spring	202542	210076	203016
20	Diaphragm Assembly	209792	209675	209005
21	Diaphragm	209659	208901	209010
22	Screen	206092-02	206092-02	206092-02
23	Diaphragm Support	—	—	—
24	O-Ring AS-111 (2) (A)	—	—	—

(A) Included in Seal Kit 210861 210456 210869
 (B) Included in Solenoid O-Ring/Retainer Kit # 210463.