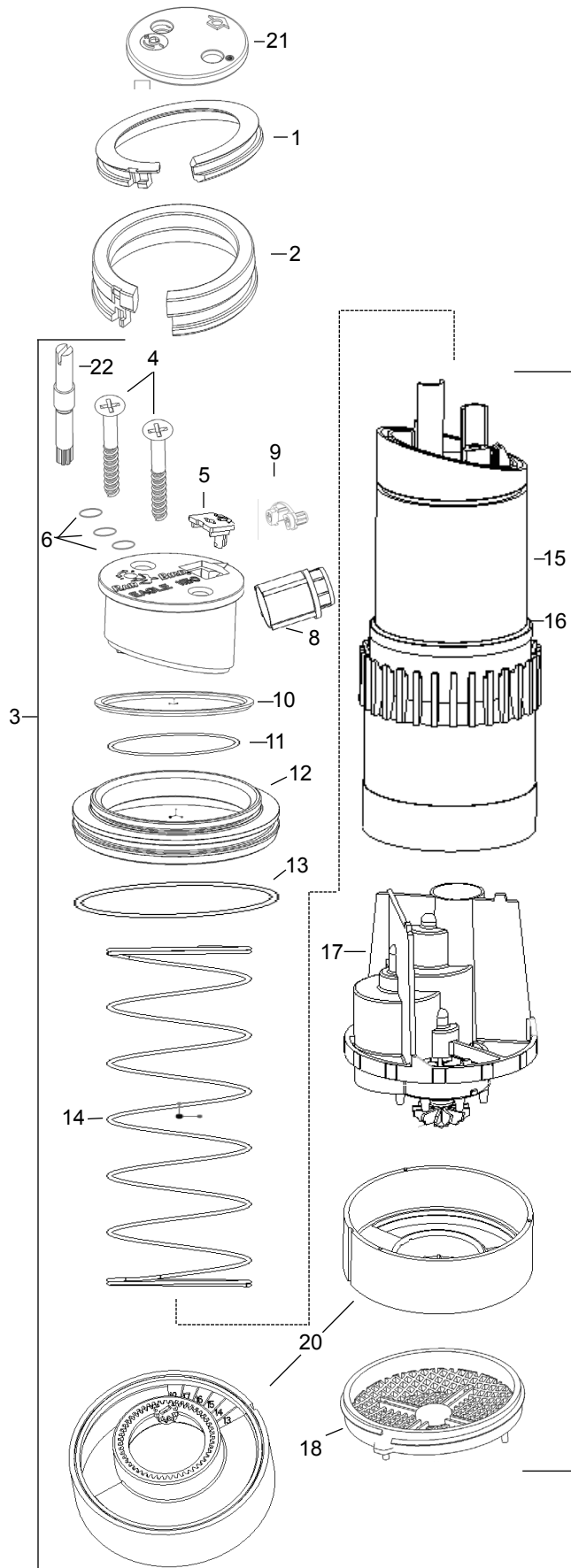




Part Circle Rotor

Catalog Number 472

EAGLE 1150 SERIES INTERNAL ASSEMBLY



Ref. Part Description	Qty	1150-E	1150-S	1150-H
SNAP RINGS				
1 Snap Cover (all models)	1	212204-01	212204-01	212204-01
RUBBER COVER KIT				
2 Rubberized Snap Cover	1	212608	212608	212608
21 Rubber Cover, Housing	1	212491-01	212491-01	212491-01
NS Rubber Case Cover	1	212490	212490	212490
6 O-Ring, Screw	2	209778	209778	209778
INTERNAL ASSEMBLY				
3 Internal Assembly (A)	1	212439-xx	212439-xx	212439-xx
COVER ASSEMBLY				
4 Screw, Self Tapping #1/4-15	2	210975	210975	210975
5 Insert, Diffuser Housing -01,02,03,04	1	212217-xx	212217-xx	212217-xx
5A Insert, Diffuser Housing (Purple)	1	212217-09	212217-09	212217-09
6 O-Ring, Screw	3	209778	209778	209778
22 Arc Adjustment Shaft	1	212237	212237	212237
NOZZLES (Please specify nozzle size when ordering - See below)				
- Nozzle/Housing Kit	1	212609-xx	212609-xx	212609-xx
- Nozzle/Housing Kit (Purple)	1	212610-xx	212610-xx	212610-xx
7 Housing, Nozzle	1	-	-	-
8 Nozzle Assembly, Range	1	212604-xx	212604-xx	212604-xx
9 Nozzle Assembly, Spreader Dual	1	212611	212611	212611
10 Seal, Retract (Nozzle Housing)	1	-	-	-
18 Screen, Riser	1	212178	212178	212178
- Nozzle Kit without Housing	1	212689-xx	212689-xx	212689-xx
- Nozzle Kit without Housing (Purple)	1	212690-xx	212690-xx	212690-xx
BEARING/RISER-MOTOR ASSEMBLY				
11 O-Ring Nozzle Housing	1	212255	212255	212255
12 Guide, Bearing	1	-	-	-
13 O-Ring, Bearing Guide	1	212383	212383	212383
14 Spring, Retract	1	-	-	-
15 Riser Motor Assembly	1	212436	212436	212436
16 Seal, Riser-Pop-Up	1	212172	212172	212172
17 Motor Housing (Replacement)	1	212102	212102	212102
20 Stator Assembly - Common	1	212606	212606	212606

CASE ASSEMBLY (Please refer to EAGLE 900/950 Series, catalog number 468)

NS = Not Shown

Specify nozzle size when ordering. Available in #48, 57, 63, 66
xx - Indicated nozzle size; i.e., #48 Blue, #57 Yellow, #63 Orange, #66 Green

***Stator Setting Configurations Factory**

Color of Range Nozzle	Number	Electric Case Pressure Setting				Hyd/SAM
		Psi (bars)				
		70(4,8)	80(5,5)	100(6,9)	120(8,3)	Set per Base Psi
Blue	#48	70	80	100	120	PRS/Case
	Set Stator to: ---	4	5	7	8	8 thru 11 (Line Psi)
Yellow	#57	70	80	100	120	PRS/Case
	Set Stator to: ---	6	7	8	9	8 thru 13 (Line Psi)
Orange	#63	70	80	100	120	PRS/Case
	Set Stator to: ---	7	10	12	12.5	8 thru 15 (Line Psi)
Green	#66	70	80	100	120	PRS/Case
	Set Stator to: ---	9	11	13.5	13.5	11 thru 15 (Line Psi)

* Stator settings to a lower number than factory will speed up rotation speed and shorten radius.

* Stator settings to a larger number than factory will slow rotation speed or cause non-rotation.

Note: Part numbers enclosed in brackets () are not available individually, but may be sold in assemblies or kits.