

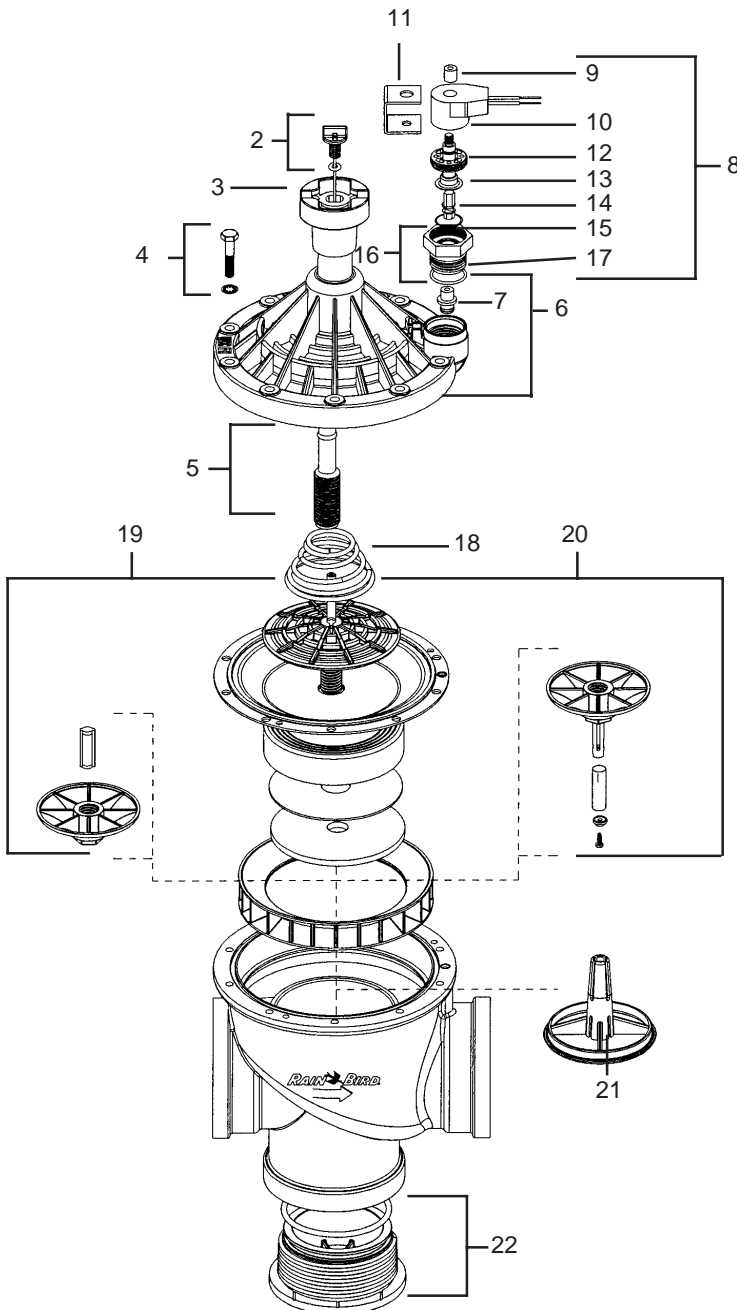
ELECTRIC CONTROL VALVES 300-BPE and BPES SERIES



Ref. No.: 630

Date: 02/2003

Page: 1 of 1



Ref.	Part Description	300-BPE	300-BPES
1	BONNET ASSEMBLY	231548	231548
2	Bleed screw w/O-Ring	232379	232379
3	Handle, flow control	231546	231546
4	Bolts (10 each)	231530	231530
5	Stem w/O-ring, flow control	232063	232063
6	Bonnet with solenoid seal	231306	231306
7	Solenoid seal	208629	208629
8	SOLENOID ASSY (A)	B31800	B31800
9	Rubber Retainer	627167	627167
10	Coil	602118	602118
11	U-Frame	210914	210914
12	Base Nut (Plastic)	602606	602606
13	Tube, Welded	630028	630028
14	Plunger/Spring Assy	629453	629453
15	O-Ring	202882	202882
16	Adapter Assembly	231985	231985
17	O-Ring	—	—
LOWER ASSEMBLY			
18	Diaphragm Spring	231545	231545
19	Diaphragm Assembly	231543	—
20	Diaphragm Assembly	—	231542
21	Scraper	—	231544
22	Plug and O-ring	231307	231307
- O-ring kit (O-rings used in: 2, 5, 15, 19, 21)		231513	231513

(A) This Solenoid Assembly supersedes all others