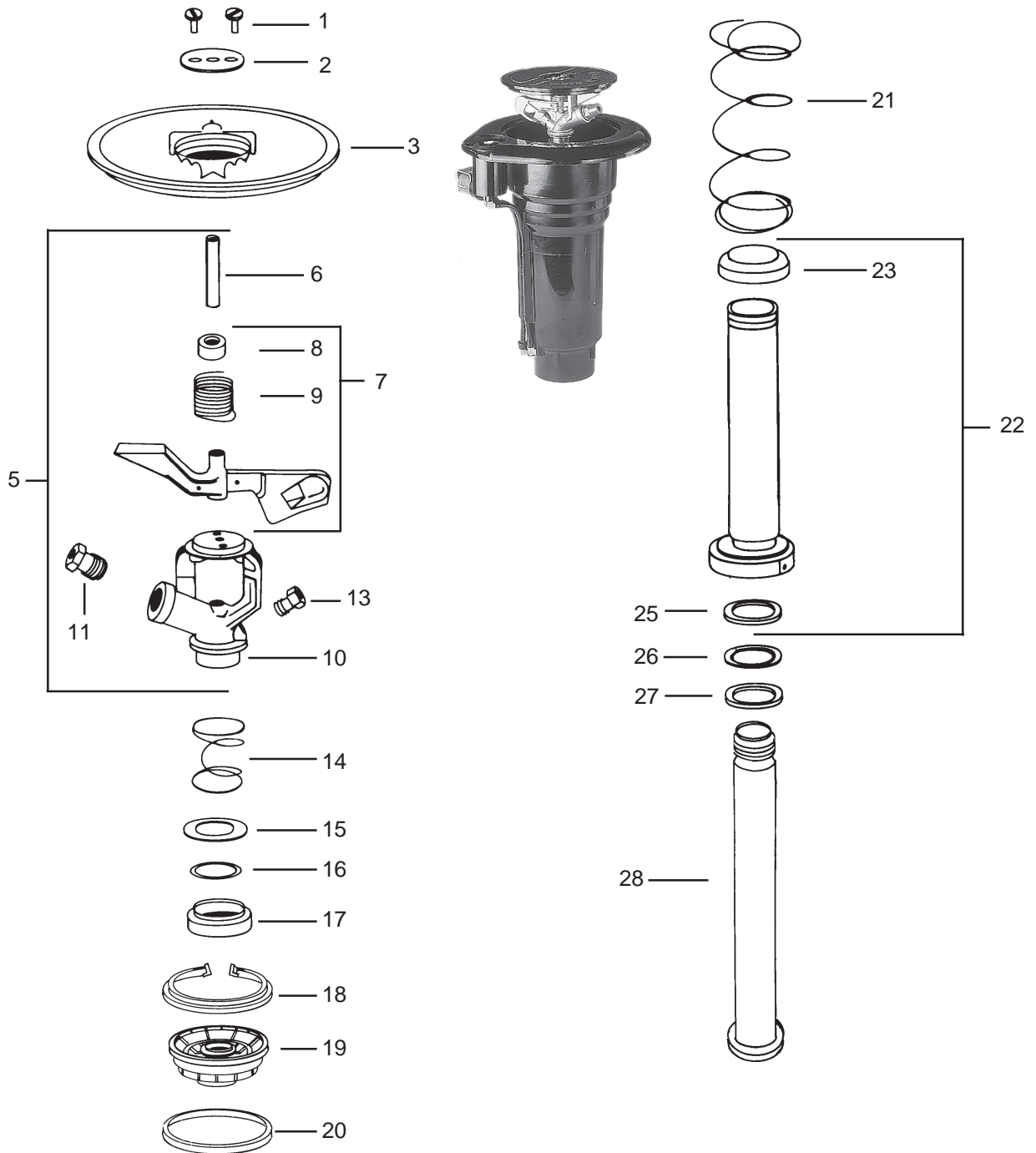


FULL CIRCLE ROTOR 51DR / 51DS

Ref. No. : 451

Date : 02/2003

Page : 1 of 5



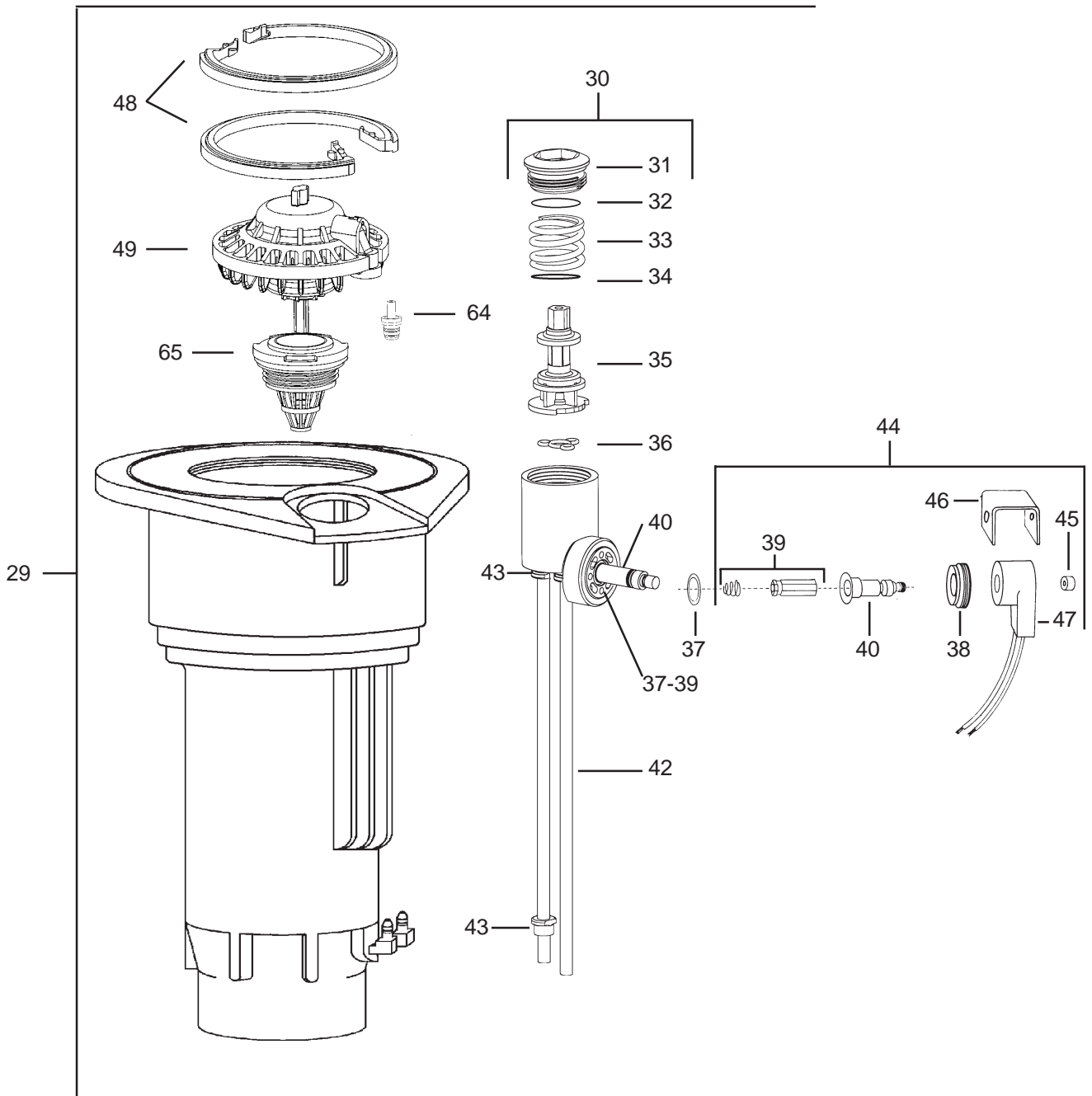
FULL CIRCLE ROTOR 51DR / 51DS

Ref. No. : 451

Date : 02/2003

Page : 2 of 5

1 - PIECE CASE ASSEMBLY (POST 5/93) (SEE PAGE 4)



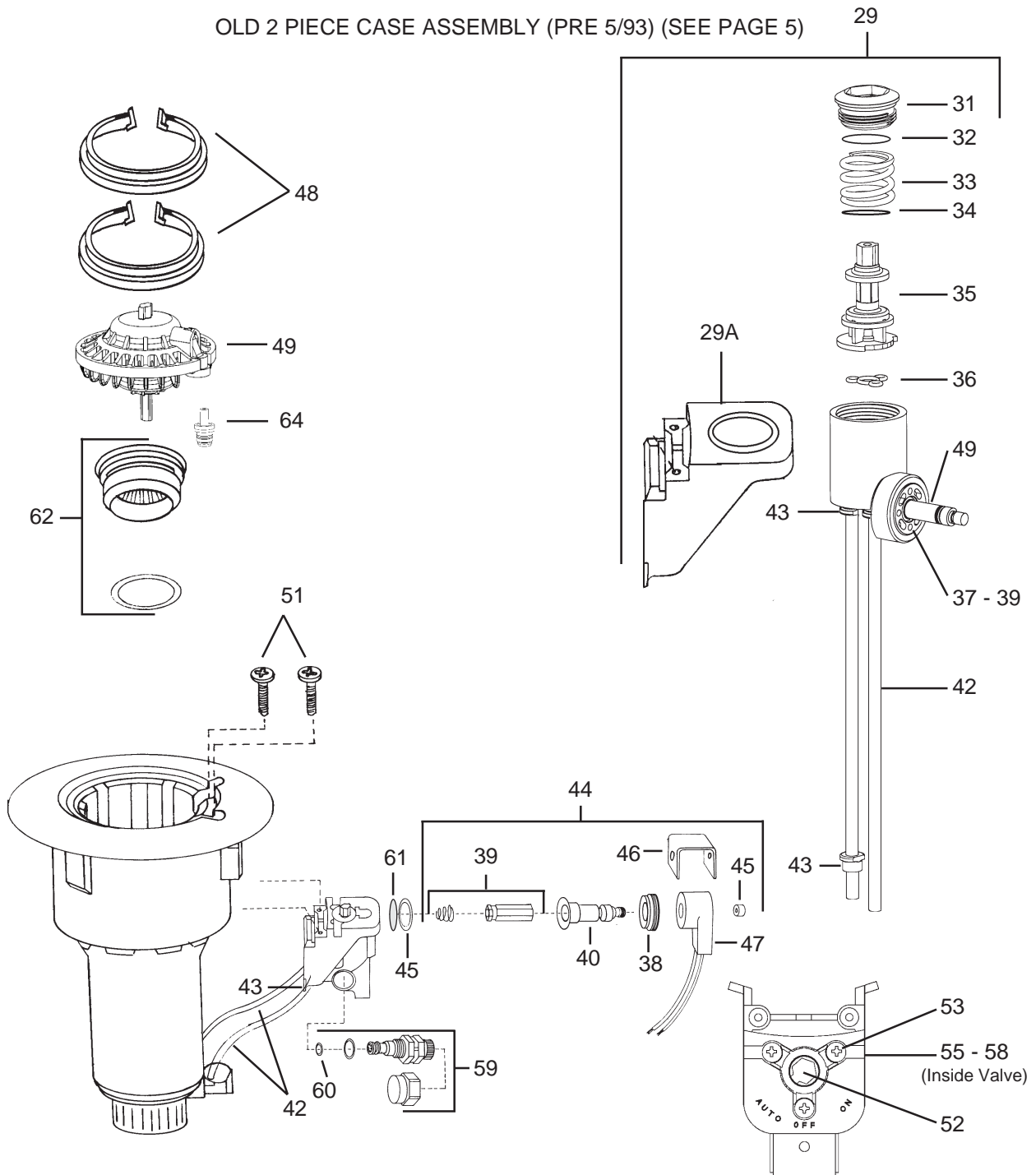
FULL CIRCLE ROTOR 51DR / 51DS

Ref. No. : 451

Date : 02/2003

Page : 3 of 5

OLD 2 PIECE CASE ASSEMBLY (PRE 5/93) (SEE PAGE 5)





FULL CIRCLE ROTOR
51DR / 51DS

Ref. No. : 451

Date : 02/2003

Page : 4 of 5

Ref.	Part Description	51DR	51DS	Ref.	Part Description	51DR	51DS
COVER ASSEMBLY (Page 1)				1 - PIECE CASE ASSEMBLIES (Post 5/93) (Page 2)			
1	Cover Screws, Standard (2)	200974	200974	29	Case Assembly (BSP)	207955-04	208456-02
2	Retainer, Steel	200740	200740	30	PRS/Selector Assembly	210808-03	—
3	Plastic Cover	208227	208227	31	Cover, Threaded (D)	(D)	—
**INTERNAL ASSEMBLY 204130-20-11.5				32	O-Ring, Stem Cover (D)	(D)	—
UPPER ASSEMBLY				33	Spring, Compression	—	—
5	Arm/Body Assembly	200132-18-11.5	200132-18-11.5	34	Selector Washer	—	—
6	Fulcrum Pin	200076	200076	35	PRS Cartridge (D)	(D)	—
7	Arm Spring Assembly	203728	203728	36	Seal, Selector (D)	(D)	—
8	Arm Hood	—	—	37	O-Ring, Solenoid Base	211237	—
9	Arm Spring	—	—	38	Base Nut	602606	—
10	Body	200101	200101	39	Plunger Assembly	629453	—
NOZZLES (A)				40	Tube, Welded	630028	—
*11	Plastic Range Nozzle	211203	211203	42	Tubing (2)	205920-02	205920-02
*13	Drive Nozzle	201108	201108	43	Ferrule, Barbed (2)	206409	—
BEARING ASSEMBLY				44	Solenoid Assembly	206920-01	—
14	Bearing Spring	(B)	(B)	38	Base Nut	602606	—
15	Steel Top Seal Washer	(B)	(B)	39	Plunger Assembly	629453	—
16	Teflon Top Seal Washer	(C)	(C)	40	Tube, Welded	630028	—
17	Buna-N Guide Seal (Black)	(B)	(B)	45	Retainer, Rubber	212152	—
18	Upper Snap Ring	208395	208395	46	U-Frame	212124	—
19	Bearing Guide, Plastic	207569	207569	47	Coil	212165	—
	Bearing Guide Ring	207415	207415	48	Snap Ring, Lower (2)	208396	208396
20	Lower Seal	211239	211239	49	HPDV Valve Assembly	211266	212323
21	Retract Spring	201113	201113	64	Probe and O-Ring Assembly	207402	207402
22	Bearing Sleeve Assembly	202068	202068	65	Top Serviceable Rock Screen	211714-02	211714-02
23	Buna-N Lower Seal (Black)	(C)	(C)		HFDV Repair Kit	207594	208439
25	Wear Ring (Gold)	(C)	(C)	62	Inlet Adapter Kit (<6/98)	(E) 207654	(E) 207654
26	Teflon Speed Washer (White)	(C)	(C)	(A) Specify nozzle sizes when ordering.			
27	Buna-N Washer Seal (Gray)	(C)	(C)	(B) Included in Upper Bearing Spring Washer Kit # 203731.			
28	Bearing Nipple	200037	200037	(C) Included in Bearing Washer Kit # 203732.			
				(D) Included in PRS/Selector Repair Kit # 210166.			
				(E) Inlet adapter required on cases made between 5/87 and 6/98. After 6/98 the top serviceable rock screen/valveseat (#65) is included in the 1-piece case.			

* Consult current whole goods Price List.

** Includes #5 to #28



FULL CIRCLE ROTOR
51DR / 51DS

Ref. No. : 451

Date : 02/2003

Page : 5 of 5

OLD 2 PIECE CASE (PRE 5/93)
NEW PRS/SELECTOR VALVE WITH ADAPTER (SEE PAGE 3)
OLD PRS/SELECTOR VALVE PARTS (SEE PAGE 3)

Ref.	Part Description	51DR	51DS	Ref.	Part Description	51DR	51DS
NEW PRS/SELECTOR VALVE ASSEMBLY WITH ADAPTER				2-PIECE CASE PARTS			
29	PRS/Selector Assembly	210808-03	—	48	Lower Snap Rings (2)	208396	208396
29A	Selector Adapter	—	—	49	HPDV Valve	211266	212323
31	Cover, Threaded (E)	(E)	—		HFDV Repair Kit (for stainless steel valve)	207594	208439
32	O-Ring, Stem Cover (E)	(E)	—	64	Probe and O-Ring Assembly	207402	207402
33	Spring, Compression	—	—	62	Inlet Adapter Kit (D)	207654	207654
34	Selector Washer	—	—	43	Ferrule (4-DR,2-DS,1-DH)	206409	206409
35	PRS Cartridge (E)	(E)	—				
36	Seal, Selector (E)	(E)	—	(D)	Pre 1988 Cases		
37	O-Ring, Solenoid Base	211237	—	(E)	Included in new style PRS/Selector Repair Kit # 210166.		
38	Base Nut	602606	—	(F)	Selector Valves made before 6/88 used three (3) O-Rings # 211238.		
39	Plunger Assembly	629453	—				
40	Tube, Welded	630028	—				
42	Tube (2)	205920-02	205920-02				
43	Ferrule, Barbed (2)	206409	—				
OLD SELECTOR VALVE PARTS (Pre 5/93)							
51	Selector Valve Screws 6-20 (2)	—	—				
	Selector Valve Stem Repair Kit	210069	—				
52	Stem Assy	—	—				
53	Screws (3)	—	—				
54	O-Ring (4) (F)	(F)	—				
55	Compression Spring	—	—				
56	Spring Washer (2 or 3)	—	—				
58	Seal O-Ring	209656	—				
59	Pressure Regulator	208206	—				
60	O-Ring, Selector Valve	—	—				
37	O-Ring	202882	—				
38	Base Nut	602606	—				
39	Plunger Assembly	629453	—				
40	Tube, Welded	630028	—				
61	Screen	203327	—				
42	Tube (2)	205920-02	205920-02				
SOLENOID ASSEMBLY - ALL CASE TYPES							
44	Solenoid Assembly	206920-01	—				
38	Base Nut	602606	—				
39	Plunger Assembly	629453	—				
40	Tube, Welded	630028	—				
45	Retainer, Rubber	212152	—				
46	U-Frame	212124	—				
47	Coil	212165	—				