

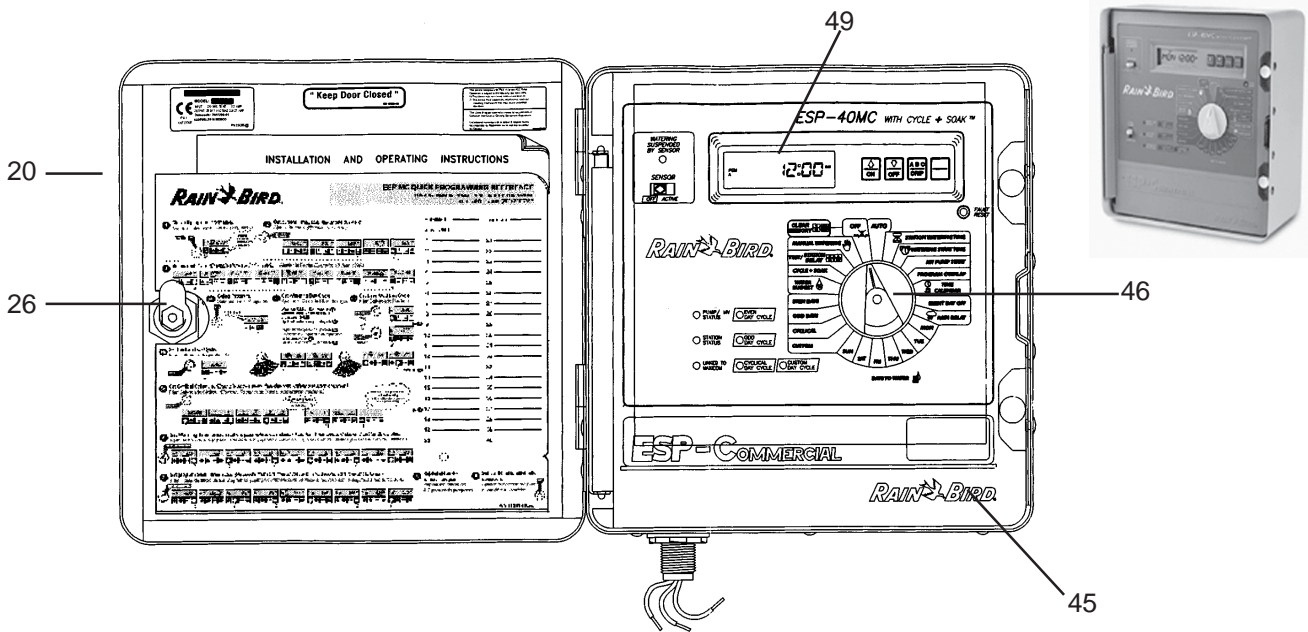
ELECTRONIC CONTROLLER
**ESP-8MC/ESP-12MC/ESP-16MC/
 ESP-24MC/ESP-32MC/ESP-40MC**

Ref. No.: 750

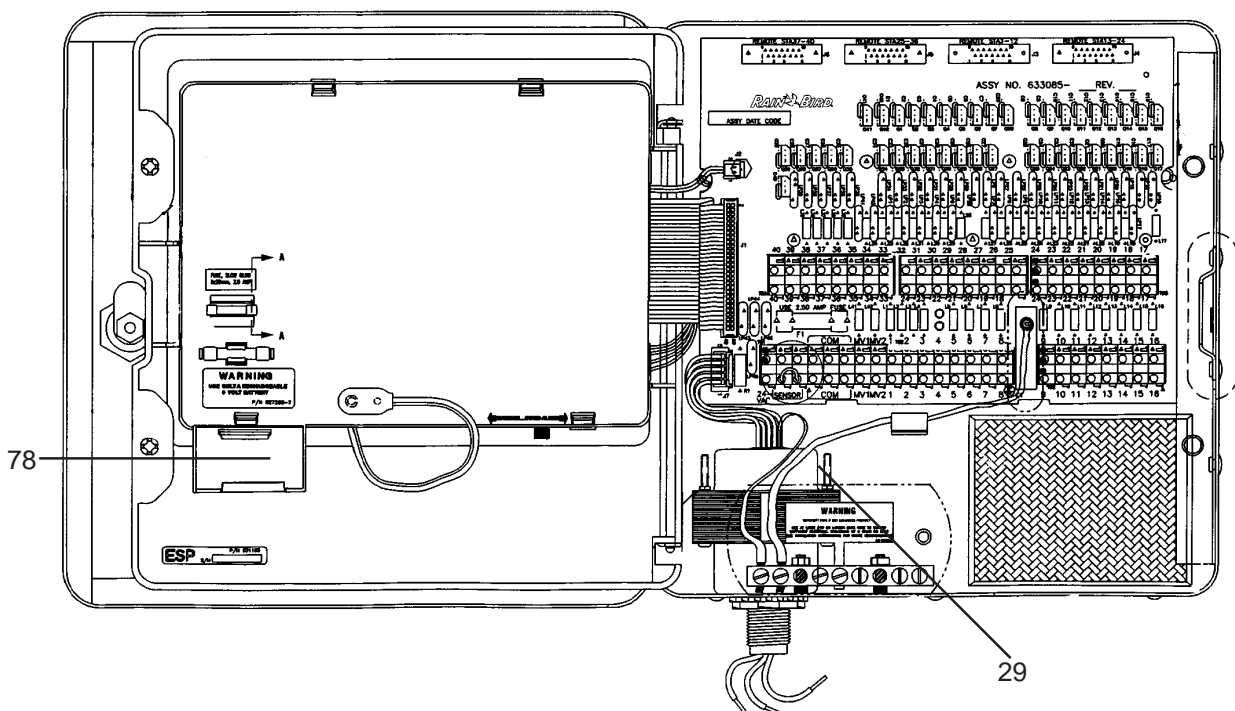
Date: 02/2003

Page: 1 of 3

ESP-MC Front Panel and Door Assemblies - Front Panel in Closed Position



ESP-MC Front Panel and Door Assemblies - Front Panel in Open Position



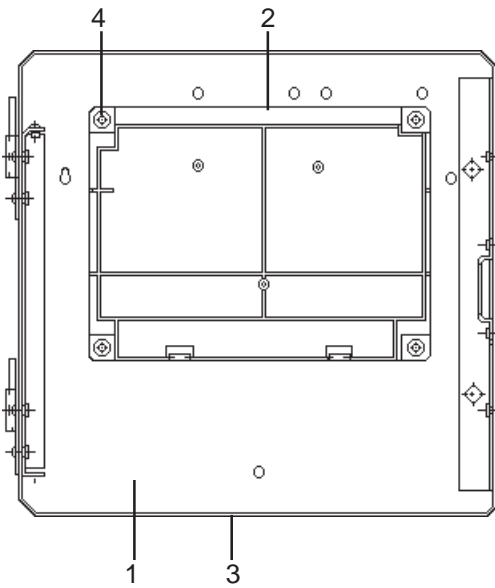
ELECTRONIC CONTROLLER
ESP-8MC/ESP-12MC/ESP-16MC/
ESP-24MC/ESP-32MC/ESP-40MC

Ref. No.: 750

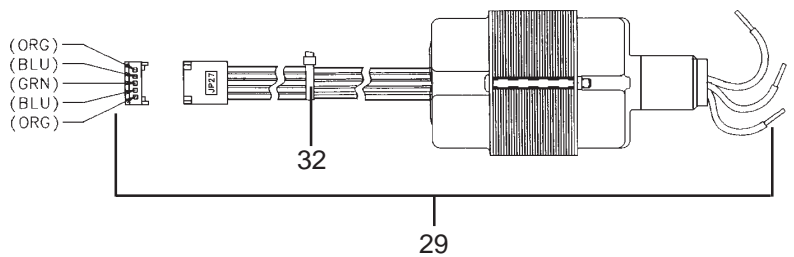
Date: 02/2003

Page: 2 of 3

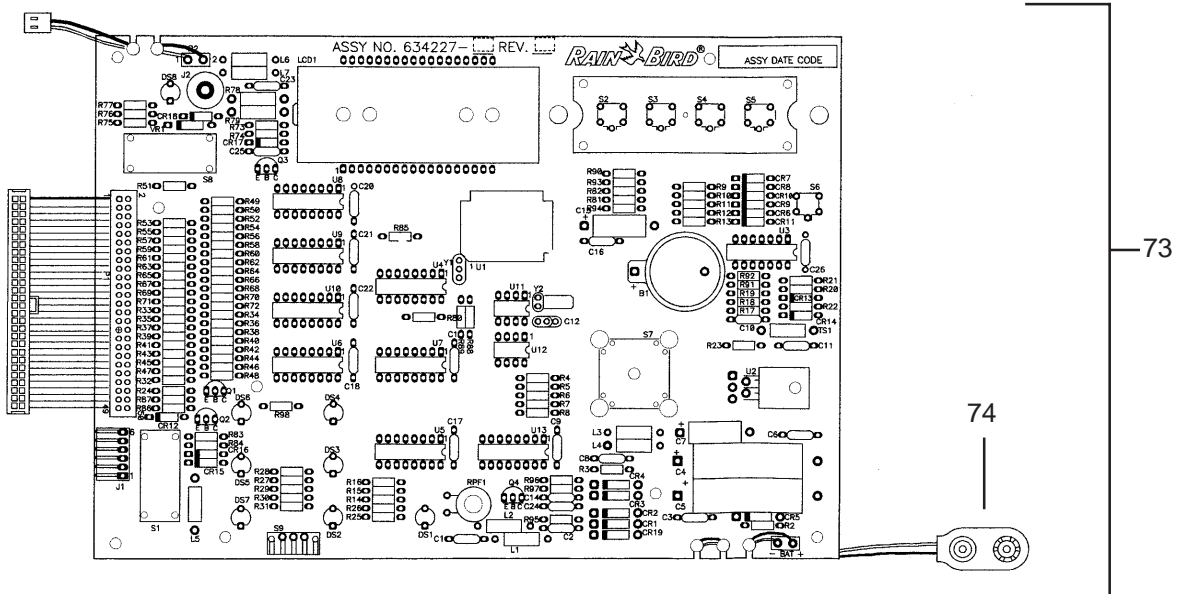
ESP-MC Cabinet Assembly



Transformer Assembly - ESP-MC



Control PWB Assembly



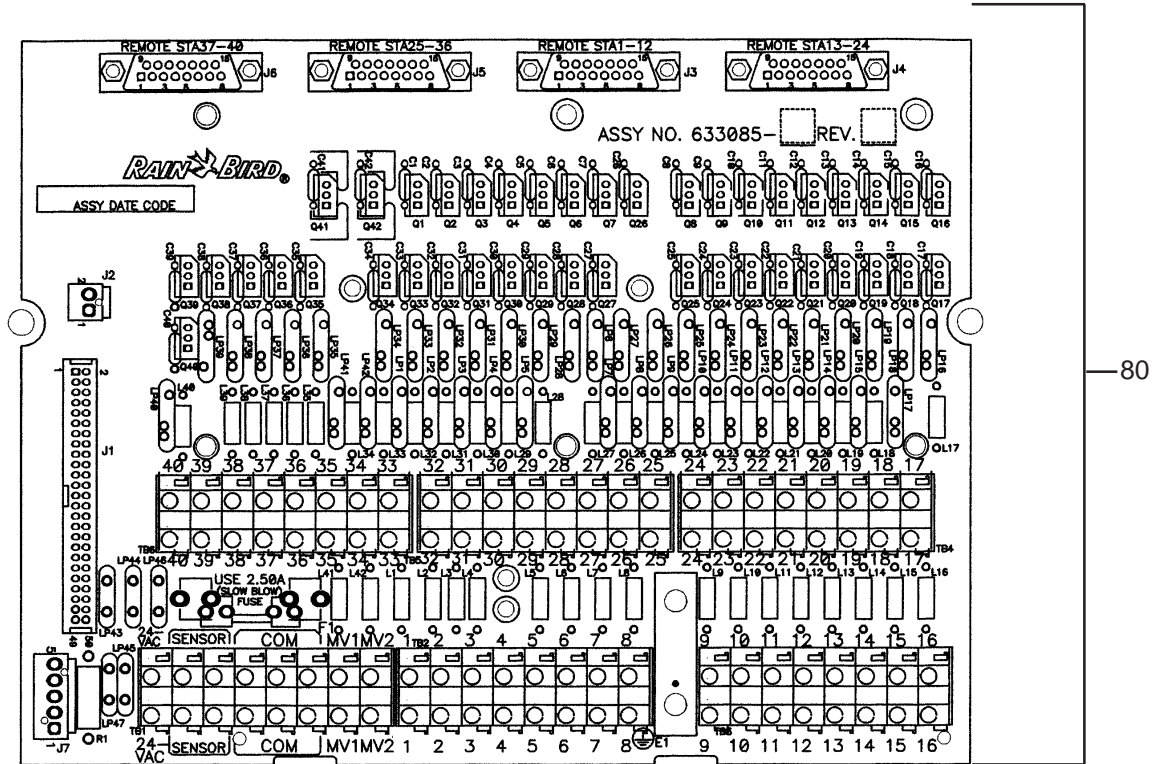
ELECTRONIC CONTROLLER
ESP-8MC/ESP-12MC/ESP-16MC/
ESP-24MC/ESP-32MC/ESP-40MC

Ref. No.: 750

Date: 02/2003

Page: 3 of 3

Terminal PWB Assembly



Ref.	Description	Qty	ESP-8MC	ESP-12MC	ESP-16MC	ESP-24MC	ESP-32MC	ESP-40MC
ESP-MC CABINET AND DOOR ASSEMBLY COMPLETE								
1	ESP-MC CABINET ASSEMBLY	1	K02220	K02220	K02220	K02220	K02220	K02220
2	Spacer, Terminal Board	1	—	—	—	—	—	—
3	Cabinet, draw formed	1	—	—	—	—	—	—
4	Washer, flat # 10.032	1	—	—	—	—	—	—
ESP-MC DOOR ASSEMBLY								
20	Door Assembly, Gray Dep. Draw	1	629321-03	629321-03	629321-03	629321-03	629321-03	629321-03
26	Cam Lock	1	650755	650755	650755	650755	650755	650755
29	Transformer Assembly, 50Hz	1	633148-02	633148-02	633148-02	633148-02	633148-02	633148-02
32	Cable Tie, Nylon 7/8 bundle	1	650131	650131	650131	650131	650131	650131
ESP-MC FRONT PANEL ASSEMBLY								
45	ESP-MC FRONT PANEL ASSEMBLY	1	K01611	K01611	K01611	K01611	K01611	K01611
46	Funct select knob, Assy, gray	1	630946	630946	630946	630946	630946	630946
49	LCD Lens	1	632700	632700	632700	632700	632700	632700
73 CONTROL PWB ASSY ESP-MC								
74	Battery Snap 9V	1	650075	650075	650075	650075	650075	650075
BATTERY								
78	Battery Nicad 7.2 V	1	650929	650929	650929	650929	650929	650929
80	TERMINAL BRD, ESP-MC PWB ASSY	1	635110-01	635110-02	635110-03	635110-04	635110-05	635110-06