

## FULL CIRCLE ROTOR

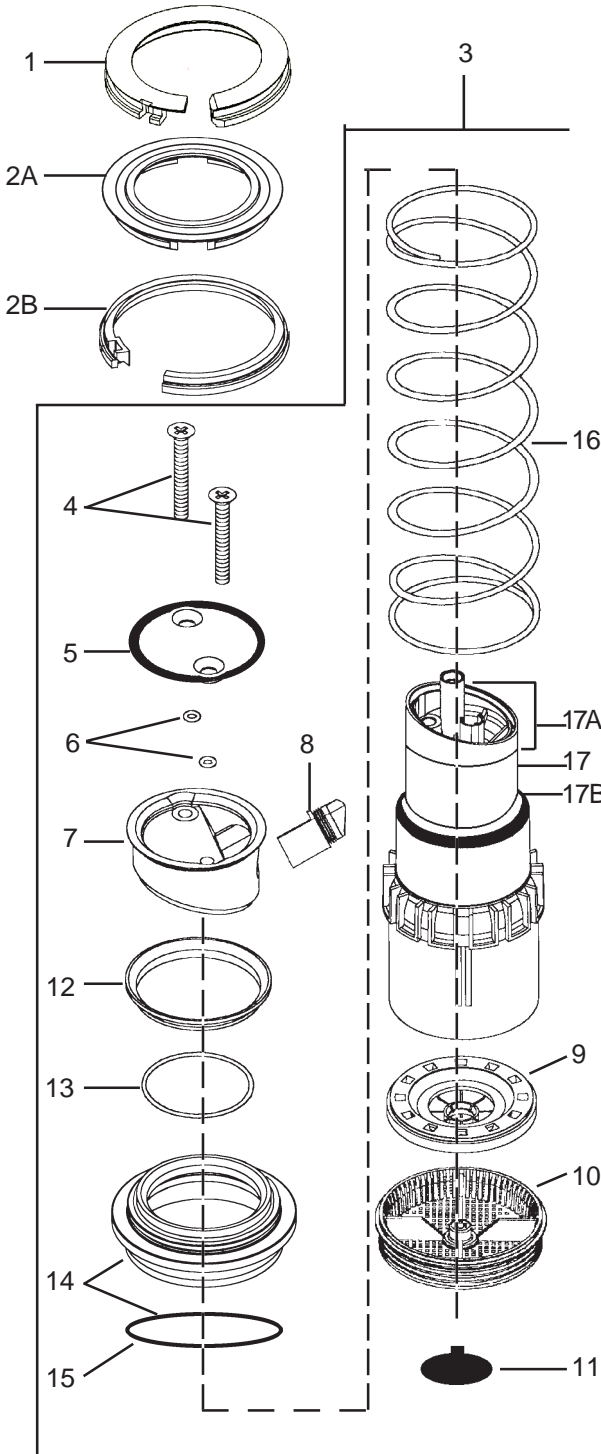
## EAGLE - 500 SERIES



Catalog No.: 468

Date: 02/2003

Page: 1 of 2



Ref.	Part Description	Qty.	500-E	500-S	500-H	500-B
<b>SNAP RINGS</b>						
1	Snap Cover (excluding BRC)	1	211921-01	211921-01	211921-01	211921-01
2A	Cover, Rubber (BRC)	1	—	—	—	211568
2B	Snap Ring, Upper (BRC)	1	—	—	—	211298
<b>INTERNAL ASSEMBLY</b>						
3	Internal Assembly	1	211580-53	211580-53	211580-53	211600-53(B)
<b>COVER ASSEMBLY</b>						
4	Screw, 1/4 - 20	2	210974	210974	210974	210974
5	Cover, Housing	1	211282	211282	211282	211282
6	O-Ring, Screw # 10	2	211236	211236	211236	211236
<b>NOZZLES</b>						
7	Housing, Nozzle - Black	1	210356-02	210356-02	210356-02	210356-02
	Nozzle/Stator Kit (A)	1	211585-xx	211585-xx	211585-xx	211585-xx
8	Nozzle Assembly	1	—	—	—	—
9	Stator	1	—	—	—	—
10	Screen	1	210403	210403	210403	210403
11	SAM Assy (B/BRC Only)	1	—	—	—	211292
<b>BEARING / RISER-MOTOR ASSEMBLY</b>						
12	Seal, Retract (Grey)	1	210354-02	210354-02	210354-02	210354-02
13	O-Ring, Nozzle Housing	1	210366	210366	210366	210366
14	Guide, Bearing Kit, LO-FLOW (C)	1	—	211263	—	211263
14	Guide, Bearing Assy, STD	1	211147	—	211147	—
15	O-Ring, Bearing Guide	1	211242	211242	211242	211242
16	Spring, Retract	1	—	—	—	—
17	Riser Motor Assembly	1	210534	210534	210534	210534
17A	Nozzle Base Replacement Kit w/seals	1	211841	211841	211841	211841
17B	Pop-up Seal	1	210399	210399	210399	210399
<b>CASE ASSEMBLIES</b>						
19*	Rubber Cover kit (500-B only)	1	—	—	—	211355
19*	Rubber Cover Kit	1	211602	211602	211602	—
20	Case Assembly (BSP)	12	212462-02(E)	212464(E)	212463(E)	211489-02
21	PRS/Selector Assy less Coil	1	211418	—	—	—
23	Cap, Selector (F)	1	(F)	—	—	—
24	O-Ring, Stem Cover (F)	1	(F)	—	—	—
25	Spring, Compression	1	—	—	—	—
26	Selector Washer	1	210040	—	—	—
27	PRS Cartridge (F)	1	(F)	—	—	—
28	Seal, Selector (F)	1	(F)	—	—	—
22	PRS/Housing Kit	1	211386	—	—	—
29	Base Nut	1	602606	—	—	—
30	O-Ring, Solenoid Base	1	—	—	—	—
31	Tube, Welded	1	630028	—	—	—
	Plunger Assy (Not Shown)	1	629453	—	—	—
32	Tubing	2	205920-02	205920-02	—	—
34	Ferrule	2	206409	—	206409	—
35	Solenoid Assembly	1	206920-01	—	—	—
	Plunger Assy (Not Shown)	1	629453	—	—	—
36	Retainer, Rubber	1	212152	—	—	—
37	U-Frame	1	212124	—	—	—
38	Coil	1	212165	—	—	—
39	Snap Ring, Lower	2	210470	210470	210470	—
40	500/550 Valve Assembly	1	211468	212322	212322	—
41	Elbow, Probe	1	—	—	—	—
42	O-Ring, Probe	2	211238	211238	211238	—
	Seal, Inlet (Not Shown)	1	211177	211177	211177	—
	Filter, Universal (Not Shown)	1	206092-02	—	206092-02	—
43	Screen, Inlet (<3/98)	1	210487	210487	210487	—
44	Top Serviceable Rock Screen	1	211714-01	211714-01	211714-01	—

(A) Specify Nozzle Size when ordering. Available in # 52, 53, 54. Diffuser screw Kit: 211963-52,53  
 (B) Internal Assembly (# 211600-53) includes 500B SEAL-A-MATIC Assembly. (#11).  
 (C) The LO-FLOW Bearing Guide Kit #211263 may also be used on the 500 Series Electric/Hydraulic units.  
 (E) Case Assemblies with Top Serviceable Rock Screens are 1,28 cm longer than Non-Top Serviceable Rock Screen Case Assemblies.  
 (F) Included in PRS/Selector Repair Kit # 210166. Use 212150 for cases after 5/2001.  
 \* Includes Upper Snap Ring (211298)

## FULL CIRCLE ROTOR

### EAGLE - 500 SERIES

Catalog No.: 468

Date: 02/2003

Page: 2 of 2

