

## PART CIRCLE ROTOR

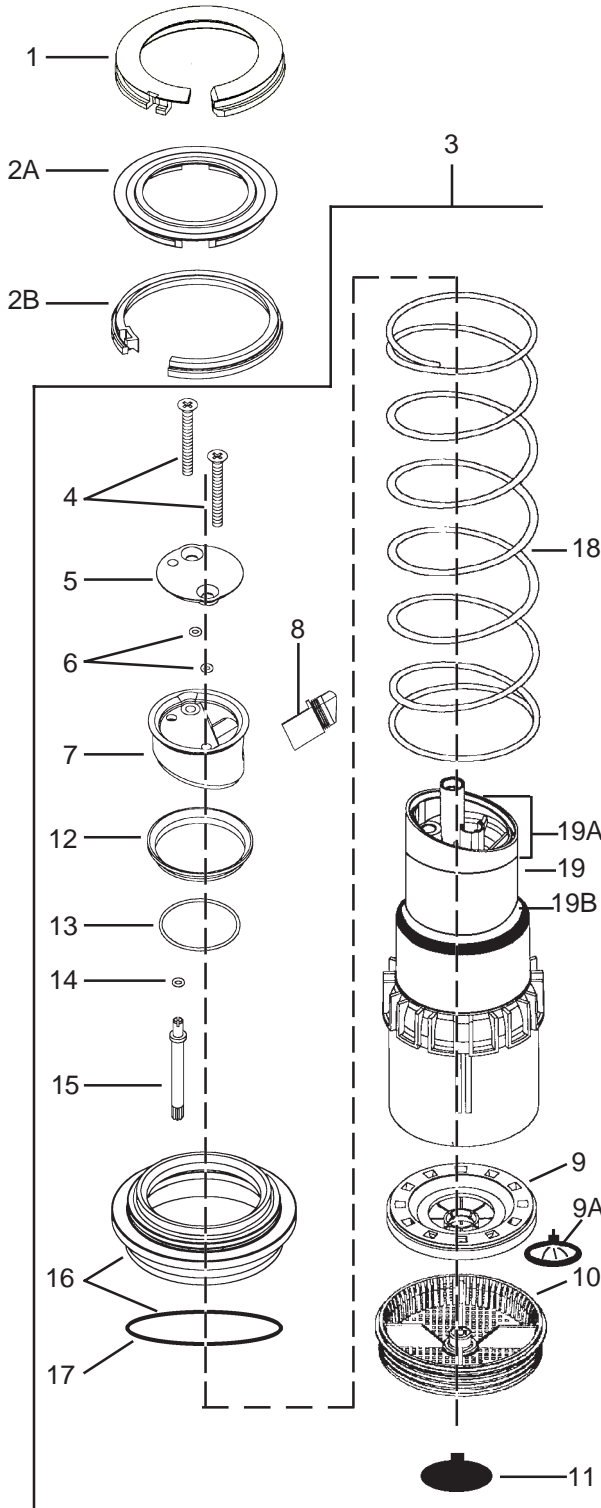
### EAGLE - 750 SERIES



Ref. No. : 475

Date : 02/2003

Page : 1 of 2



Ref.	Part Description	Qty.	750-E	750-S	750-H	750B
<b>SNAP RINGS</b>						
1	Snap Cover (excluding BRC)	1	211921-01	211921-01	211921-01	211921-01
2A	Cover, Rubber (BRC)	1	—	—	—	211568
2B	Snap Ring, Upper (BRC)	1	—	—	—	211298
<b>INTERNAL ASSEMBLY</b>						
3	Internal Assembly	1	211544-40	211915-40	211544-40	211543-40 (B)
<b>COVER ASSEMBLY</b>						
4	Screw, Self Tapping 1/4 - 20	2	210974	210974	210974	210974
5	Cover, Housing	1	210355	210355	210355	210355
6	O-Ring, Screw	2	211236	211236	211236	211236
<b>NOZZLES (See Footnotes and P. 2)</b>						
7	Housing, Dual-Spreader Nozzle (A) (Upgrade Cascade to Dual-Spreader)	1	212203-xx	212203-xx	212203-xx	212203-xx
7	Housing, Cascade Nozzle	1	211982-01	211982-01	211982-01	211982-01
	Nozzle/Stator Kit - Dual-Spreader (A)	1	212301-xx	212301-xx	212301-xx	212301-xx
	Nozzle/Stator Kit,#24 (Cascade)	1	211431-24	211431-24	211431-24	211431-24
	Nozzle/Stator Kit (B) (Cascade)	1	211545-xx	211545-xx	211545-xx	211545-xx
8	Nozzle Assembly, Range	1	—	—	—	—
9	Stator	1	—	—	—	—
9A	Poppet	1	210405	210405	210405	210405
10	Screen	1	210403	210403	210403	210403
11	SAM Assy (B/BRC Only)	1	—	—	—	211292
<b>BEARING / RISER-MOTOR ASSEMBLY</b>						
12	Seal, Retract	1	210354	210354	210354	210354
13	O-Ring, Nozzle Housing	1	210366	210366	210366	210366
14	O-Ring, Adjustment Stem	1	211236	211236	211236	211236
15	Adjustment Stem	1	210420	210420	210420	210420
16	Guide, Bearing Kit, LO-FLOW	1	—	211263	—	211263
16	Guide, Bearing Assy, STD	1	211147	—	211147	—
17	O-Ring, Bearing Guide	1	211242	211242	211242	211242
18	Spring, Retract	1	—	—	—	—
19	Riser Motor Assembly	1	210535	210535	210535	210535
19A	Nozzle Base Replacement Kit w/seal	1	211841	211841	211841	211841
19B	Pop-up Seal (White)	1	210399	210399	210399	210399
<b>CASE ASSEMBLIES</b>						
20	Rubber Cover Kit (BRC Only)	1	—	—	—	211355
	Rubber Cover Kit	1	211603	—	211603	210366
21	Case Assembly (BSP)	1	212462-02(E)	212464(E)	212463(E)	211489-02
22	PRS/Selector Assy (>6/95)-2 Tubes	1	211418	—	—	—
24	Cap, Selector (F)	1	(F)	—	—	—
25	O-Ring, Stem Cover (F)	1	(F)	—	—	—
26	Spring, Compression	1	—	—	—	—
27	Selector Washer	1	210040	—	—	—
28	PRS Cartridge (F)	1	(F)	—	—	—
29	Seal, Selector (F)	1	(F)	—	—	—
23	PRS/Housing Kit (>6/95)	1	211386	—	—	—
30	Base Nut	1	602606	—	—	—
31	O-Ring, Solenoid Base	1	—	—	—	—
32	Tube, Welded	1	630028	—	—	—
	Plunger Assy (Not Shown)	1	629453	—	—	—
33	Tubing	2	205920-02	205920-02	—	—
35	Ferrule	2	206409	—	206409	—
36	Solenoid Assembly	1	206920-01	—	—	—
	Plunger Assy (not shown)	1	629453	—	—	—
37	Retainer, Rubber	1	212152	—	—	—
38	U-Frame	1	212124	—	—	—
39	Coil	1	212165	—	—	—
40	Snap Ring, Lower	2	210470	210470	210470	—
41	700/750 Valve Assembly	1	211468	212322	212322	—
42	Elbow, Probe	1	—	—	—	—
43	O-Ring, Probe	2	211238	211238	211238	—
	Seal, Inlet (Not Shown)	1	211177	211177	211177	—
	Filter, Universal (Not Shown)	1	206092-02	—	206092-02	—
44	Screen, Inlet (<3/98)	1	210487	210487	210487	—
45	Top Serviceable RockScreen	1	211714-01	211714-01	211714-01	—

(A) Specify Nozzle Size when ordering: 28, 32, 36, 40, 44, 48. (B) Specify Nozzle Size when ordering (14-22).  
 (E) Case Assemblies with Top Serviceable Rock Screens are 1.28 cm longer than Non-Top Serviceable Rock Screen Case Assemblies. (F) Included in PRS/Selector Repair Kit # 210166. Use 212150 for cases after 2/2001

## PART CIRCLE ROTOR

### EAGLE - 750 SERIES

Ref. No. : 475

Date : 02/2003

Page : 2 of 2

