

## FULL CIRCLE ROTOR

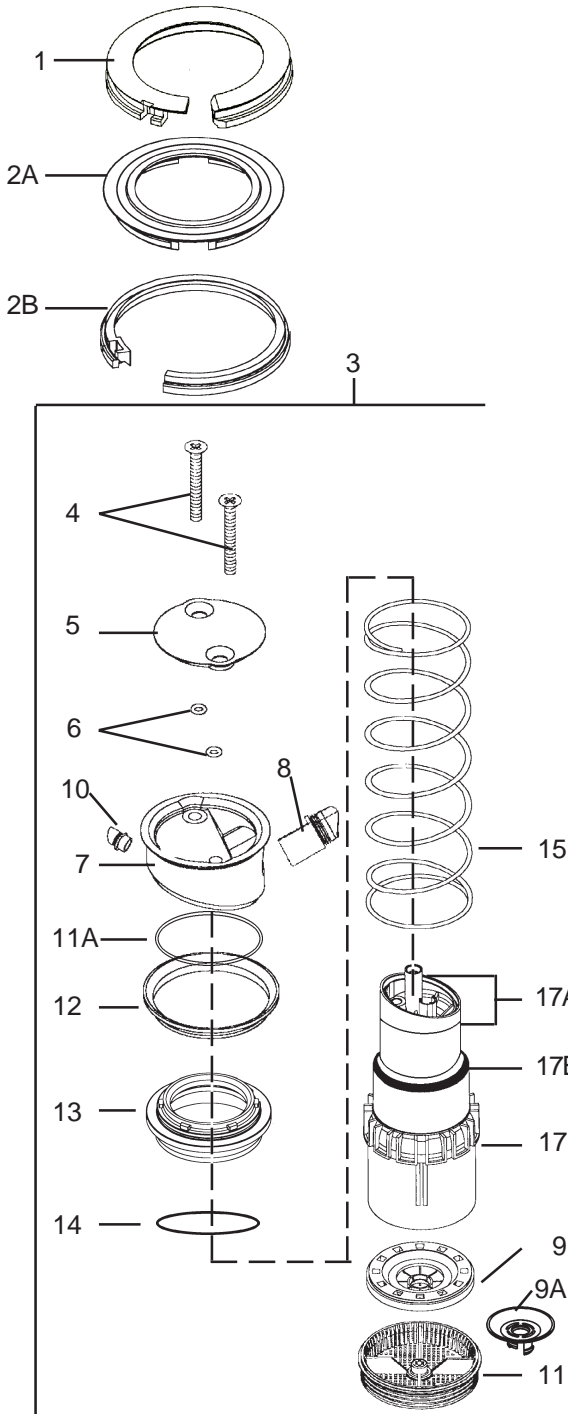
## EAGLE - 900 SERIES



Ref. No. : 496

Date : 02/2003

Page : 1 of 2



Ref.	Part Description	Qty.	900-E	900-S	900-H
<b>SNAP RINGS</b>					
1	Snap Cover (all models)	1	211934-01	211934-01	211934-01
2A	Cover, Rubber	included in 211598			
2B	Snap Ring, Upper	included in 211598			
<b>INTERNAL ASSEMBLY</b>					
3	Internal Assembly	1	210786-60	211918-60	210786-60
<b>* COVER ASSEMBLY</b>					
4	Screw, 1/4 - 15	2	210975	210975	210975
5	Cover, Housing	1	211966	211966	211966
6	O-Ring, Screw	2	209778	209778	209778
<b>**NOZZLES</b>					
	Nozzle/Housing/Stator Kit (A)	1	212067-xx	212067-xx	212067-xx
	Nozzle/Housing/Stator Kit (B)	1	210422-xx	210422-xx	210422-xx
	Nozzle/Housing/Stator Kit (C)	1	211216-xx	211216-xx	211216-xx
7	Housing, Nozzle - Black (E)	1	—	—	—
8	Nozzle Assembly, Range	1	—	—	—
10	Spreader Nozzle Assembly	1	—	—	—
9A	Poppet	1	—	—	—
9	Stator	1	—	—	—
12	Seal,Retract	1	210231	210231	210231
11	Screen	1	210232	210232	210232
<b>BEARING / RISER-MOTOR ASSEMBLY</b>					
11A	O-Ring, Nozzle Housing	1	210168	210168	210168
13	Guide, Bearing, STD	1	211460	—	211460
13	Guide, Bearing, LO-FLOW	1	—	211461	—
14	O-Ring, Bearing Guide	1	212383	212383	212383
15	Spring, Retract	1	—	—	—
17	Riser Motor Assembly	1	209836	209836	209836
17A	Nozzle Base Replacement Kit w/Seal	1	212060	212060	212060
17B	Pop-up Seal (White)	1	209781	209781	209781
<b>CASE ASSEMBLIES</b>					
18	Case Assembly (BSP)	1	212472-03	212474	212473
	Clip, Case Housing (Not Shown)	1	210840	210840	210840
19	PRS/Selector Assy (>6/95) 2 tubes	1	211418	—	—
21	Cover, Threaded (F)	1	(F)	—	—
22	O-Ring, Stem Cover (F)	1	(F)	—	—
23	Spring, Compression	1	—	—	—
24	Selector Washer	1	210040	—	—
25	PRS Cartridge (F)	1	(F)	—	—
26	Seal, Selector (F)	1	(F)	—	—
20	PRS/Housing Kit (>6/95) 2 tubes	1	211386	—	—
27	Base Nut	1	602606	—	—
28	O-Ring, Solenoid Base	1	—	—	—
29	Tube, Welded	1	630028	—	—
	Plunger Assembly (not shown)	1	629453	—	—
30	Tubing	1	205920-02	205920-02	—
32	Ferrule	2	206409	—	206409
33	Solenoid Assembly	1	206920-01	—	—
	Plunger Assembly (not shown)	1	629453	—	—
34	Retainer, Rubber	1	212152	—	—
35	U-Frame	1	212124	—	—
36	Coil	1	212165	—	—
37	Snap Ring, Lower	2	208396	208396	208396
38	HPDV Valve Assembly	1	211266	212323	212323
	HFDV Diaphragm Assembly Kit (<8/99)	1	207594	208439	208439
	(Not Shown)				
39	Screen, Inlet (<9/98)	1	209923	209923	209923
40	Top Serviceable Rock Screen	1	211714-02	211714-02	211714-02
41	Probe & O-ring Assembly	1	207402	207402	207402

(A) Specify Nozzle Size when ordering. Available in # 44, 48, 52, 56, 60, 64

(B) Specify Nozzle Size when ordering. Available in # 18, 22, 24.

(C) Specify Nozzle Size when ordering. Available in # 20, 26, 28, 30, 32.

\*\*Diffuser Screw Kit: 212144 (not compatible with Nozzles #18, 22, 24)

(E) The Nozzle Housing was changed 8/99 to accommodate the new Spreader for the High performance nozzles. All 900 rotors and nozzle/Stator kits manufactured after 8/99 have the new Nozzle Housing. (F) Included in PRS/Selector Repair Kit # 210166. Use 212150 for cases made after 5/2001. \* Rubber cover (#211598) and artificial grass cover (#P00904) kits are available for old cases. Rubber cover kit for new cases : 212553. Consult order desk for artificial grass cover kit for new cases.

## FULL CIRCLE ROTOR

### EAGLE - 900 SERIES

Ref. No. : 496

Date : 02/2003

Page : 2 of 2

