

## PART CIRCLE ROTOR

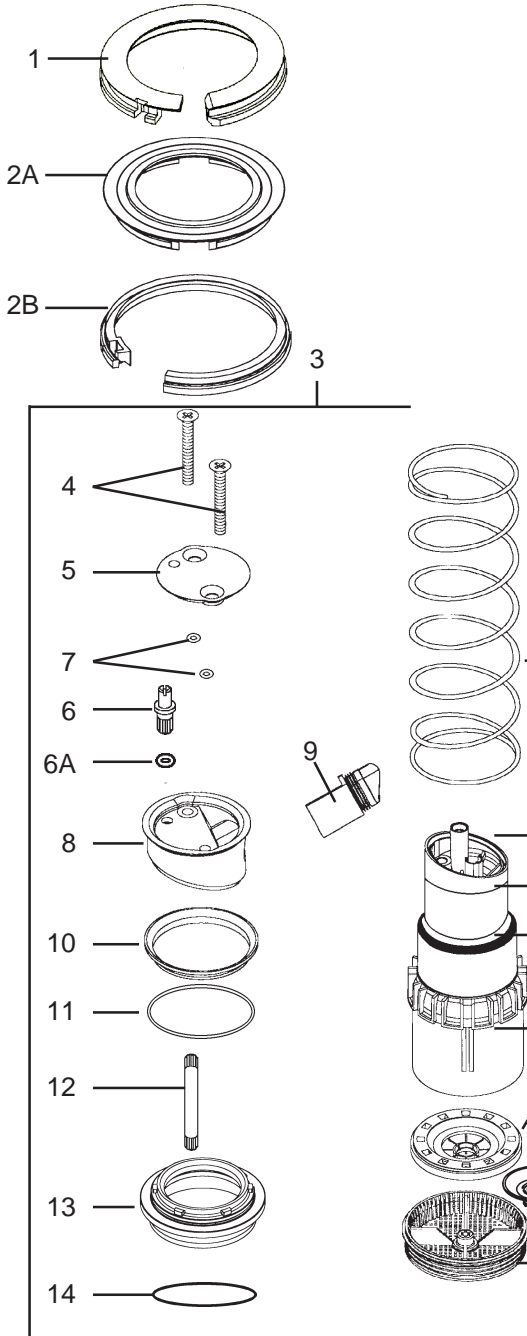
### EAGLE - 950 SERIES



Ref. No. : 497

Date : 02/2003

Page : 1 of 2



Ref.	Part Description	Qty.	950-E	950-S	950-H
<b>SNAP RINGS</b>					
1	Snap Cover	1	211934-01	211934-01	211934-01
2A	Cover, Rubber		included in 211599		
2B	Snap Ring, Upper		included in 211599		
<b>INTERNAL ASSEMBLY</b>					
3	Internal Assembly	1	211442-28	211919-28	211442-28
<b>* COVER ASSEMBLY</b>					
4	Screw, 1/4 - 15	2	210975	210975	210975
	Oversized Arc Adjust & Cover Kit (A)		212158	212158	212158
5	Cover, Housing	1	—	—	—
6	Oversized Arc Adjust	2	—	—	—
6A	Quad Seal, Arc Adjust	1	—	—	—
7	O-Ring, Screw	2	209778	209778	209778
<b>NOZZLES</b>					
8	Housing, Nozzle - Black	1	211962	211962	211962
	Nozzle/Stator Kit - Cascade (B)	1	211441-xx	211441-xx	211441-xx
	Nozzle/Stator Kit - Non-Cascade (C)	1	211215-xx	211215-xx	211215-xx
9	Nozzle Assembly, Range	1	—	—	—
17	Poppet	1	—	—	—
18	Stator	1	—	—	—
10	Seal, Retract	1	210231	210231	210231
19	Screen	1	210232	210232	210232
<b>BEARING / RISER-MOTOR ASSEMBLY</b>					
11	O-Ring, Nozzle Housing	1	210436	210436	210436
12	Adjustment Stem	1	210837	210837	210837
13	Guide, Bearing, STD	1	211460	—	211460
13	Guide, Bearing, LO-FLOW	1	—	211461	—
14	O-Ring, Bearing Guide	1	212383	212383	212383
15	Spring, Retract	1	—	—	—
16	Riser Motor Assembly	1	210439	210439	210439
16A	Nozzle Base Replacement Kit w/Seal	1	212061	212061	212061
16B	Pop-up Seal (White)	1	209781	209781	209781
<b>CASE ASSEMBLIES</b>					
43	Case Assembly (BSP)	1	212472-03	212474	212473
	Clip, Case Housing (Not Shown)	1	210840	210840	210840
	PRS/Selector Assy (>6/95) 2 tubes	1	211418	—	—
	Cover, Threaded (F)	1	(F)	—	—
	O-Ring, Stem Cover (F)	1	(F)	—	—
	Spring, Compression	1	—	—	—
	Selector Washer	1	210040	—	—
	PRS Cartridge (F)	1	(F)	—	—
	Seal, Selector (F)	1	(F)	—	—
	PRS/Housing Kit (>6/95) 2 tubes	1	211386	—	—
	Base Nut	1	602606	—	—
	O-Ring, Solenoid Base	1	—	—	—
	Tube, Welded	1	630028	—	—
	Plunger Assembly (not shown)	1	629453	—	—
	Tubing	1	205920-02	205920-02	—
	Ferrule	2	206409	—	206409
	Solenoid Assy	1	206920-01	—	—
	Plunger Assy (not shown)	1	629453	—	—
	Retainer, Rubber	1	212152	—	—
	U-Frame	1	212124	—	—
	Coil	1	212165	—	—
	Snap Ring, Lower	2	208396	208396	208396
	HPDV Valve Assembly	1	211266	212323	212323
	HFDV Diaphragm Assembly Kit (<8/99) (Not Shown)	1	207594	208439	208439
	Probe & O-ring Assembly	1	207402	207402	207402
	Top Serviceable Rock Screen	1	211714-02	211714-02	211714-02
	Screen, Inlet (<9/98)	1	209923	209923	209923

(A) New Oversized Arc Adjust incorporated 2/00.  
 (B) Specify Nozzle Size when ordering. Available in # 18, 20, 22, 24.  
 (C) Specify Nozzle Size when ordering. Available in # 26, 28, 30, 32.  
 Diffuser Screw Kit: 212145. Eagle Tail's Kit: 211900

(F) Included in PRS/Selector Repair Kit # 210166. Use 212150 for cases made after 5/2001

\* Rubber cover (#211599) and artificial grass cover (#P00904) kits are available for old cases. Rubber cover kit for new cases : 212554. Consult order desk for artificial grass cover kit for new cases.

## PART CIRCLE ROTOR

### EAGLE - 950 SERIES

Ref. No. : 497

Date : 02/2003

Page : 2 of 2

