

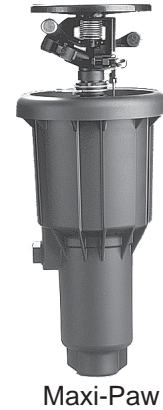
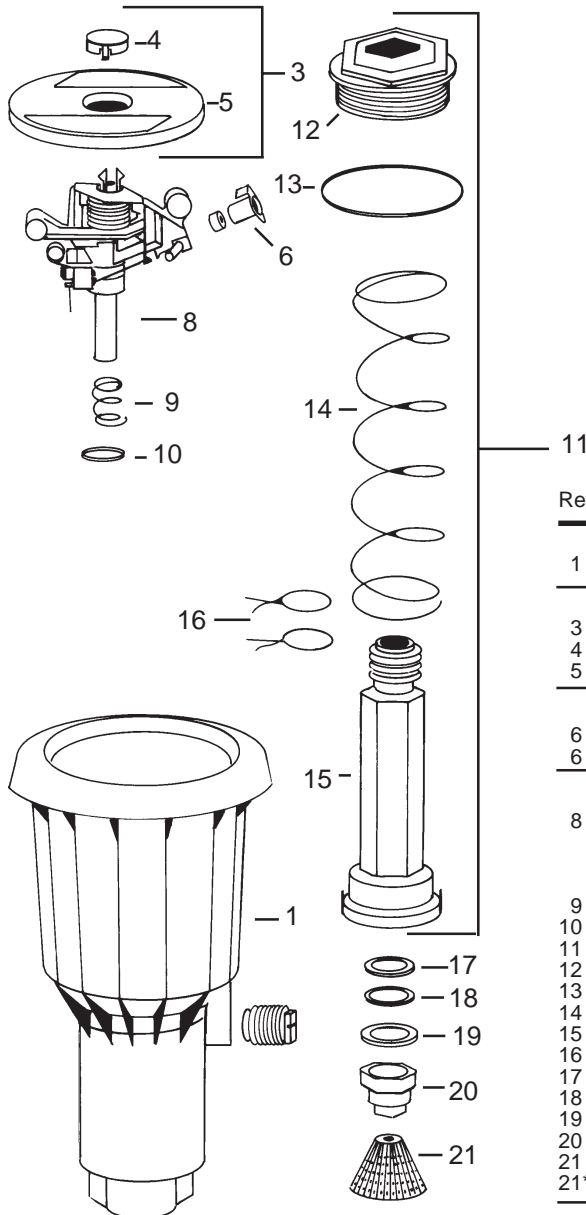
PART CIRCLE ROTOR

MINI-PAW / MAXI-PAW / MAXI-PAW-SAM

Ref No. : 401

Date : 02/2003

Page : 1 of 1



Ref.	Part Description	Mini-Paw	Maxi-Paw	Maxi-Paw-SAM
CASES				
1	Case Assembly With Plug	205175	20728101	20728101
COVER ASSEMBLIES				
3	Cover Kit	206973	208001	208001
4	Dust Cap	(A)	—	—
5	Cover, Snap On	(A)	—	—
NOZZLES (B)				
6	Low Angle	—	115902	115902
6	Standard Nozzle	—	206592	206592
INTERNAL ASSEMBLY				
8	Head Assembly	*206678 (A)	206644-08	206637-08
	Diffuser Screw	203933	203933	203933
	Trip Spring	207740	207740	207740
	Bearing Hood (Black)	(C)	(C)	(C)
9	Upthrust Spring	(C)	(C)	(C)
10	Bearing Washer (Blue)	(C)	(C)	(C)
11	Pop-Up Sleeve Assembly	202415	202415	204400
12	Guide Nut	204555	204555	204555
13	O-Ring Seal	202011	202011	202011
14	Retract Spring	—	—	—
15	Guide Sleeve	—	—	—
16	Friction Collars (2)	203148	203148	203148
17	Buna N Washer	(C)	(C)	(C)
18	Wearing Washer	(C)	(C)	(C)
19	Brg Backup Washer	(C)	(C)	(C)
20	Body Retainer	(C)	(C)	(C)
21	Inlet Screen (Standard)	202076	202076	—
21**	SAM Screen/Seal Assembly	—	—	205396
MINI-PAW/MAXI-PAW WRENCH		B41866	B41866	B41866
** 42064				

(A) Included in Body Cover Assembly # 206974. (Specify nozzle size: 07 or 09)

(B) Specify nozzle size when ordering.

(C) Included in Bearing Washer Kit # 202190.

* Specify Nozzle Size : 07 or 09

** Consult Current Landscape Irrigation Price List