

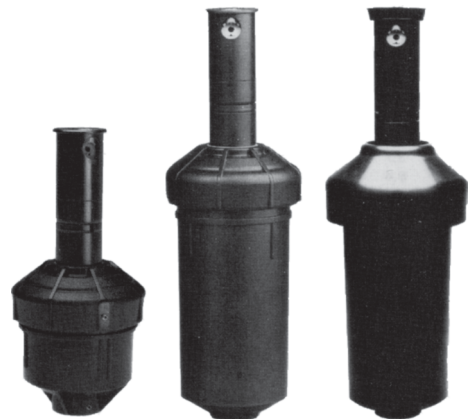
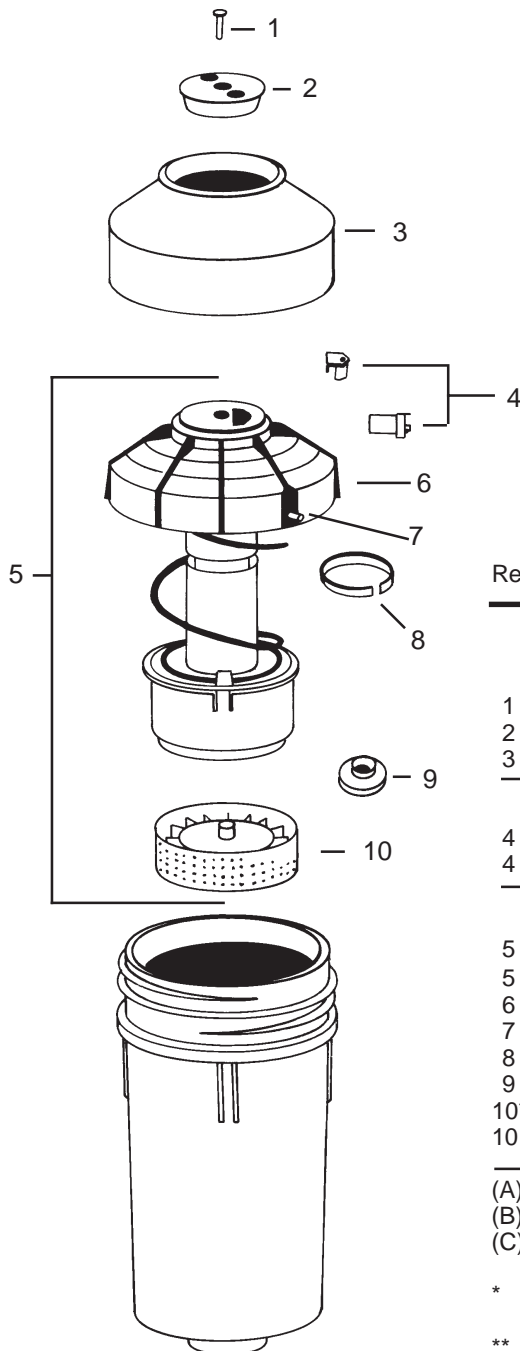
PART CIRCLE ROTOR

R-50-SAM-RC / R-50-S / R-50

Ref. No. : 403

Date : 02/2003

Page : 1 of 1



R-50-S

R-50

R-50-SAM-RC

Ref.	Part Description	R-50-C		
		R-50 R-50-LA	R-50-SAM-RC R-50-C-LA	R-50-S R-50-S-LA
COVER ASSEMBLIES				
	Cover Assembly	—	A49119	—
1	Turret Cover Screw	—	—	—
2	Turret Cover (Rubber)	—	—	—
3	Rubber Cover	—	—	—
NOZZLES (A) (B)				
4	Standard Nozzle Kit	A49300	A49300	A49300
4	Rain Curtain Kit (Uniformity +)	A49301	A49301	A49301
INTERNAL ASSEMBLY (Adjustable Bypass Version)				
5	Standard Angle	114160	*	—
5	Low Angle	—	—	—
6	Cover (Plastic)	—	—	—
7	Set Screw	—	—	—
8	Vandal Collar	109852	109852	109852
9	Flow Bushing (C)	(A)109826	(A)109826	(A)109826
10**	SAM Screen (ADJ BYPASS)	—	114422	—
10	STD Screen (ADJ BYPASS)	113527	—	113527

(A) Specify Nozzle or Flow Bushing size when ordering.

(B) Nozzle Kits include Nozzle Vane Assembly and Nozzle Retainer Assembly.

(C) Flow bushing not required on Adjustable Bypass Versions.

* To order the R-50-C standard angle internal assembly (adjustable bypass version), use 114160 and 114422

** Consult Current Landscape Irrigation Price List