

## MECHANICAL CONTROLLER

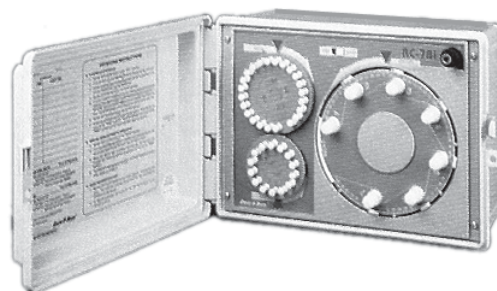
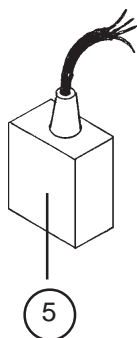
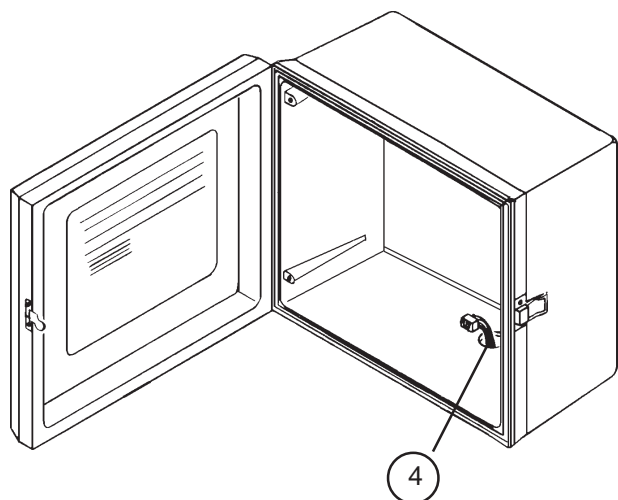
RC-4Bi / RC-7Bi / RC-1260Bi

Green and Gray Versions

Ref. No.: 704

Date: 02/2003

Page : 1 of 2



Ref	Description	Qty	Green Version			Gray Version		
			RC-4Bi	RC-7Bi	RC-1260Bi	RC-4Bi	RC-7Bi	RC-1260Bi
4	Connection Assembly P1	1	629938	628272	630272	629938	628272	630272
	12 Pin Plug W/Ears MOLEX	1	—	—	—	—	—	—
	15 Pin Plug W/Ears MOLEX	1	—	—	—	—	—	—
	Contact Pins (Male)	8,11	—	—	—	—	—	—
5	Transformer, 220/240VAC (50Hz)	1	628419	628419	628419	628419	628419	628419
9	Station Dial Assembly	1	—	—	—	—	—	—
10	Screw 7-19 x 1/2	4 or 6	—	—	—	—	—	—
11	Station Indicator Knob Assembly	4,7,12	—	—	—	—	—	—
13	Fuse Holder	1	650430-01	650430-01	650430-01	650430-01	650430-01	650430-01
14	Fuse, 1-1/2 A 250V	1	650097-18	650097-18	650097-18	650097-18	650097-18	650097-18
16	Washer Shim 1/4"	1	—	—	—	—	—	—
18	Station Dial Shaft Assembly	1	628825	628825	629307	628825	628825	629307
19	Station Dial Switch Bracket Assy	1	623666	623666	623666	623666	623666	623666
20	Switch, Station Dial	1	—	—	—	—	—	—
21	Screw 4-24 x 5/8	2	—	—	—	—	—	—
28	Day Dial Assembly	1	*	*	*	630595-02	630595-02	630595-02
29	Dial Pins	14	—	—	—	—	—	—
31	Day Dial Switch Brack Assy	1	623664	623664	623664	623664	623664	623664
32	Micro Switch, 10Amp	1	—	—	—	—	—	—
37	Hour Dial Assembly	1	*	*	*	630415	630415	630415
38	Dial Pins	23	—	—	—	—	—	—
41	Hour Dial Shaft Assembly	1	628828	628828	628828	628828	628828	628828
42	Hour Dial Switch Bracket Assy	1	623665	623665	623665	623665	623665	623665
43	Micro Switch, 10 Amp	1	—	—	—	—	—	—
44	Screw 4 x 5/8	2	—	—	—	—	—	—
48	Slide Switch, SPDT	1	600643	600643	600643	600643	600643	600643
50	Pivot Shaft Assembly	1	628826	628826	629308	628826	628826	629308
52	Reduction Gear Shaft Assembly	1	628827	628827	628827	628827	628827	628827
53	Plate, Gear	1	—	—	—	—	—	—
54	Timing Motor - 50 Hz	1	623643	623643	623643	623643	623643	623643
55	Rapid Advance Motor - 50 / 60 Hz	1	625429	625429	625429	625429	625429	625429
57	Station Selector Switch (Wafer)	1	629804	622921	624277	629804	622921	624277
	12 Pin Receptacle W/Ears	1	—	—	—	—	—	—
	15 Pin Receptacle W/Ears	1	—	—	—	—	—	—
	Tie, Cable (RC4/7-16, RC1260-18)	16,18	—	—	—	—	—	—
	Contact Pin, Male	1	—	—	—	—	—	—

\* Green version dials are no longer available. Gray version dials can be used.

## MECHANICAL CONTROLLER

RC-4Bi / RC-7Bi / RC-1260Bi

Green and Gray Versions

Ref. No.: 704

Date: 02/2003

Page : 2 of 2

