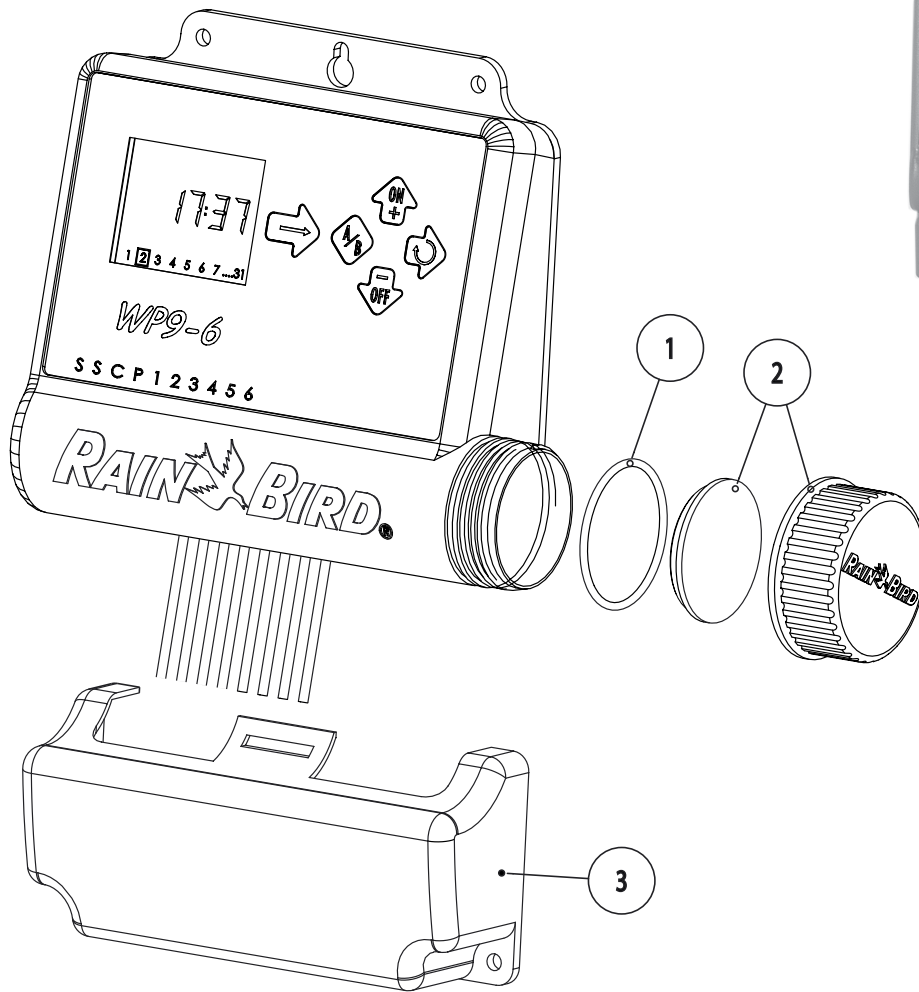


**BATTERY-POWERED
ELECTRONIC CONTROLLER
WP9 SERIES
WP9-2/WP9-4/WP9-6**

Ref. No. : 759E

Date : 02/2003

Page : 1 of 1



Ref.	Part Description	Part Numbers
1	O-Ring.....	71-P51022
2	Cap + Seal.....	71-P51023
3	Wire Splice Cover.....	71-P51174